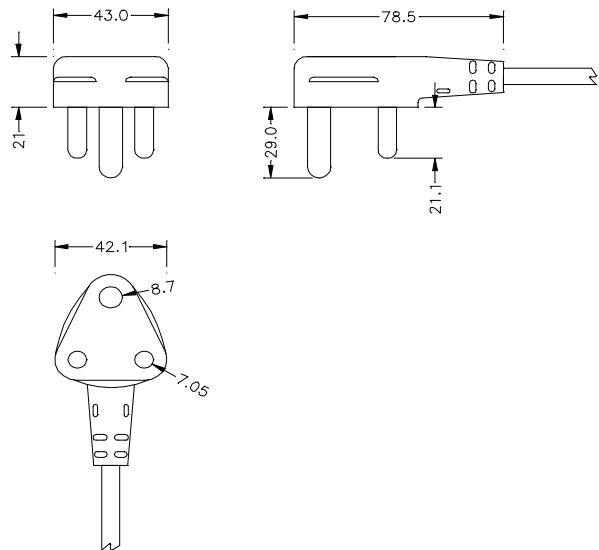
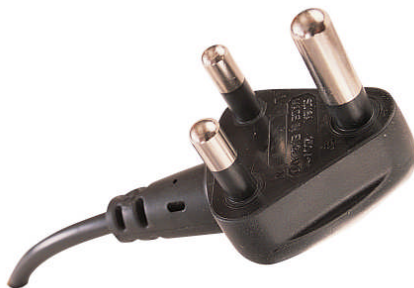


C 10
3 Pole 250V 15A
Non Rewireable Moulded Plug
South African
Approved by KEMA CB Certificate NL-9053



General Description

The pins are integrally moulded into thermoplastic glass filled polyester

The insert is over moulded with resilient flame retardant PVC

All cordsets are 100% electrically tested

Approved by the following European authorities for the following cables

KEMA	
2x0.5mm ² HO3VV-F	✓
3x0.75mm ² H05RN-F	✓
3x1.50mm ² HO5VV-F	✓

The Company is approved to ISO 9001: 2000 Certificate No. FM 00928



IEC SYSTEM FOR CONFORMITY TESTING TO
STANDARDS FOR SAFETY OF ELECTRICAL
EQUIPMENT (IECEE) CB SCHEME

Ref. Certificate No.

NL-9053

CB TEST CERTIFICATE

Issued by: KEMA Quality B.V.

Registration date: 2005-04-15

Product: two-pole plug intended for the South Africa marked only

Applicant: Clarke Cable Services Ltd. Eaton Bank Trading Estate Varey Road, Congleton Cheshire CW12 1PJ United Kingdom

Manufacturer: Clarke Cable Services Ltd. Eaton Bank Trading Estate Varey Road, Congleton Cheshire CW12 1PJ United Kingdom

Factory: Clarke Cable Services Ltd. Eaton Bank Trading Estate Varey Road, Congleton Cheshire CW12 1PJ United Kingdom

Rating and principal characteristics: 16 A - 250 V~

Trade mark (if any): Clarke

Model/Type reference: C10

Additional information: provided with:
H03VV-F 2x0,5 mm²
H05RN-F 3G0,75 mm²
H05VV-F 3G1,5 mm²

Sample of product tested to be in conformity with IEC: 60884-1(ed.3)

Test Report Ref. No: 2082751.01A (46 pages)

This CB Test Certificate is issued by the National Certification Body

KEMA Quality B.V.
Utrechtseweg 310
P.O. Box 5185
6802 ED Arnhem
The Netherlands



Signed by: H.R.M. Barends

Date of issue: 2005-04-15