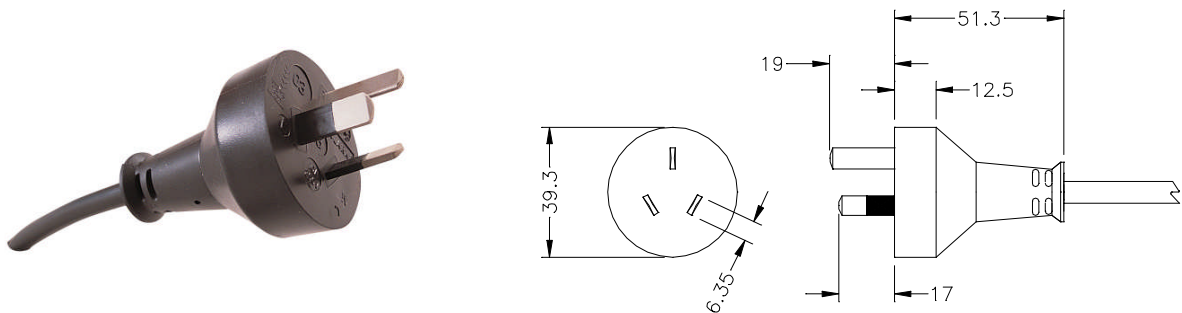


**C 3**  
**3 Pole 250V 10A**  
**Non Rewireable Australian & New Zealand Plug**  
**To AS/NZS 3112 (2000)**  
**Licence No. SMK 02011**



**General Description**

The pins are integrally moulded into a thermoplastic glass filled polyester insert

The insert is over moulded with a resilient flame retardant PVC

All cordsets are 100% electrically tested

Approved by the following authorities with the following cables

<b>Australian – SAI Global</b>	
0.75mm	H05VVF 3
0.75mm	H05RNF 3
1.00mm	H05VVF 3
1.00mm	H05RNF 3
1.00mm	H05RRF 3
1.00mm	H07RNF 3
1.50mm	H05VVF 3
1.50mm	H05V2V2F 3
0.75mm	H05VVF 2
1.00mm	H05VVF 2

The Company is approved to ISO 9001: 2000 Certificate No. FM 00928



# STANDARDSMARK LICENCE

SAI Global hereby grants:

## Clarke Cable Earlex Limited

Eaton Bank Trading Estate, Varey Road, CONGLETON, Cheshire United Kingdom

Manufactured to:

**AS/NZS 3112:2004+A1 - Approval and test specification - Plugs and socket-outlets**

"the Licensee" the right to use the STANDARDSMARK as shown above only in respect of the goods described and detailed in the Schedule which are produced by the Licensee or on behalf of the Licensee\* and which comply with the appropriate Standard referred to below as from time to time amended. The Licence is granted subject to the rules governing the use of the STANDARDSMARK and the Terms and Conditions for certification and licence. The Licensee covenants to comply with all the Rules and Terms and Conditions.

**Licence No:** SMK02011

**Issued :** 25 February 2009

**Expires :** 29 June 2013

**Originally Certified :** 30 June 1998

**Current Certification :** 30 June 2008

Duncan Lilley  
Global Head – Assurance Services

Alex Ezrakhovich  
General Manager – Certification Services



Australian  
Standard



www.sai-global.com.au/standards

\* For details of manufacture, refer to the licensee

The STANDARDSMARK is a registered certification trademark of SAI Global Limited (A.C.N. 050 644 642) and is issued under licence by SAI Global Certification Services Pty Limited (ACN 108 716 669) ("SAI Global"). This certificate remains the property of SAI Global and must be returned to SAI Global upon its request. Refer to [www.saiglobal.com](http://www.saiglobal.com), for the list of product models.

# SCHEDULE TO STANDARDSMARK LICENCE

SAI Global hereby grants:

## Clarke Cable Earlex Limited

Eaton Bank Trading Estate, Varey Road, CONGLETON, Cheshire United Kingdom

Manufactured to:

**AS/NZS 3112:2004+A1 - Approval and test specification - Plugs and socket-outlets**

Model identification of the goods on which the STANDARDSMARK may be used:

Model Identification	Trademark	Product Description	Cord Type	Cord Size	Comments	Date Endorsed
C3	Clarke	Insulated pin plug, 250V 10A, 3 flat pin, non-rewireable, thermoplastic, integrally moulded to Australian/HAR approved flexible cord	H05VV-F	3x1.5mm <sup>2</sup>	The flexible cord used must be Australian or HAR approved.	18 Feb 2009
C3	Clarke	Insulated pin plug, 250V 10A, 3 flat pin, non-rewireable, thermoplastic, integrally moulded to Australian/HAR approved flexible cord	H07RN-F	3x1.0mm <sup>2</sup>	The flexible cord used must be Australian or HAR approved.	18 Feb 2009
C3	Clarke	Insulated pin plug, 250V 10A, 3 flat pin, non-rewireable, thermoplastic, integrally moulded to Australian/HAR approved flexible cord	H05V2V2-F	3x1.5mm <sup>2</sup>	The flexible cord used must be Australian or HAR approved.	18 Feb 2009
C3	Clarke	Insulated pin plug, 250V 10A, 3 flat pin, non-rewireable, thermoplastic, integrally moulded to Australian/HAR approved flexible cord	H05VV-F	2x1.0mm <sup>2</sup>	The flexible cord used must be Australian or HAR approved	18 Feb 2009
C3	Clarke	Insulated pin plug, 250V 10A, 3 flat pin, non-rewireable, thermoplastic, integrally moulded to Australian/HAR approved flexible cord	H05VV-F	2x0.75mm <sup>2</sup>	The flexible cord used must be Australian or HAR approved.	18 Feb 2009

**Licence No:** SMK02011

**Issued Date:** 25 February 2009

This schedule supersedes all previously issued schedules



\* For details of manufacture, refer to the licensee

The STANDARDSMARK is a registered certification trademark of SAI Global Limited (A.C.N. 050 644 642) and is issued under licence by SAI Global Certification Services Pty Limited (ACN 108 716 669) ("SAI Global"). This certificate remains the property of SAI Global and must be returned to SAI Global upon its request. Refer to the Schedule for the list of product models.

# SCHEDULE TO STANDARDSMARK LICENCE

Model Identification	Trademark	Product Description	Cord Type	Cord Size	Comments	Date Endorsed
C3	Clarke	Insulated pin plug, 250V 10A, 3 flat pin, non-rewireable, thermoplastic, integrally moulded to Australian/HAR approved flexible cord	H05RN-F	3x0.75mm <sup>2</sup>	The flexible cord used must be Australian or HAR approved.	18 Feb 2009
C3	Clarke	Insulated pin plug, 250V 10A, 3 flat pin, non-rewireable, thermoplastic, integrally moulded to Australian/HAR approved flexible cord	H05VV-F	3x0.75mm <sup>2</sup>	The flexible cord used must be Australian or HAR approved.	18 Feb 2009
C3	Clarke	Insulated pin plug, 250V 10A, 3 flat pin, non-rewireable, thermoplastic, integrally moulded to Australian/HAR approved flexible cord	H05VV-F	3x1.0mm <sup>2</sup>	The flexible cord used must be Australian or HAR approved.	18 Feb 2009
C3	Clarke	Insulated pin plug, 250V 10A, 3 flat pin, non-rewireable, thermoplastic, integrally moulded to Australian/HAR approved flexible cord	H05RR-F	3x1.0mm <sup>2</sup>	The flexible cord used must be Australian or HAR approved.	18 Feb 2009
C3	Clarke	Insulated pin plug, 250V 10A, 3 flat pin, non-rewireable, thermoplastic, integrally moulded to Australian/HAR approved flexible cord	H05RN-F	3x1.0mm <sup>2</sup>	The flexible cord used must be Australian or HAR approved.	18 Feb 2009
C4	Clarke	Insulated pin plug, 250V 10A, 2 flat pin, non-rewireable, thermoplastic, integrally moulded to Australian/HAR approved flexible cord	H05RN-F	2x1.0mm <sup>2</sup>	The flexible cord used must be Australian or HAR approved	18 Feb 2009
C4	Clarke	Insulated pin plug, 250V 10A, 2 flat pin, non-rewireable, thermoplastic, integrally moulded to Australian/HAR approved flexible cord	H07RN-F	2x1.0mm <sup>2</sup>	The flexible cord used must be Australian or HAR approved	18 Feb 2009

**Licence No:** SMK02011

**Issued Date:** 25 February 2009

This schedule supersedes all previously issued schedules



\* For details of manufacture, refer to the licensee

The STANDARDSMARK is a registered certification trademark of SAI Global Limited (A.C.N. 050 644 642) and is issued under licence by SAI Global Certification Services Pty Limited (ACN 108 716 669) ("SAI Global"). This certificate remains the property of SAI Global and must be returned to SAI Global upon its request. Refer to the Schedule for the list of product models.

# SCHEDULE TO STANDARDSMARK LICENCE

Model Identification	Trademark	Product Description	Cord Type	Cord Size	Comments	Date Endorsed
C4	Clarke	Insulated pin plug, 250V 10A, 2 flat pin, non-rewireable, thermoplastic, integrally moulded to Australian/HAR approved flexible cord	H05VV-F	2x0.75mm <sup>2</sup>	The flexible cord used must be Australian or HAR approved	18 Feb 2009
C4	Clarke	Insulated pin plug, 250V 10A, 2 flat pin, non-rewireable, thermoplastic, integrally moulded to Australian/HAR approved flexible cord	H05VV-F	2x1.0mm <sup>2</sup>	The flexible cord used must be Australian or HAR approved	18 Feb 2009

---

End of Record

---

**Licence No:** SMK02011

**Issued Date:** 25 February 2009

This schedule supersedes all previously issued schedules



\* For details of manufacture, refer to the licensee

The STANDARDSMARK is a registered certification trademark of SAI Global Limited (A.C.N. 050 644 642) and is issued under licence by SAI Global Certification Services Pty Limited (ACN 108 716 669) ("SAI Global"). This certificate remains the property of SAI Global and must be returned to SAI Global upon its request. Refer to the Schedule for the list of product models.