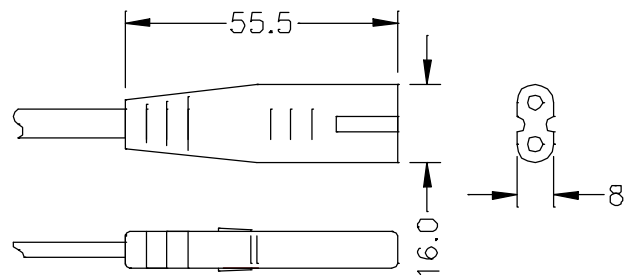


C 30

2 Pole 250V 2.5A Moulded Connector To EN 60320-1:1996 Standard Sheet C7



General Description

The Inner insert is over moulded with flame retardant PVC

All cordsets are 100% electrically tested

Available with the following cables:

	BSI	VDE
2 x 0.75 mm HO3VVH2-F	✓	✓

The Company is approved to ISO 9001: 2000 Certificate No. FM 00928



SPECIFICATION

KING-CORD

APPROVED

HEAD OFFICE & FACTORY:

KING-CORD CO., LTD

NO. 52-5, Sia Si Hu, Shang Hu Village,
Yang Mei Township,
Tao Yuan County TAIWAN
TEL: 886-3-472-6208
FAX: 886-3-472-7751

FACTORY:

KING-CORDMEX, S.A. DE C.V.

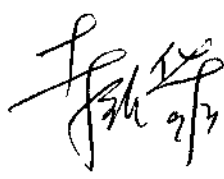
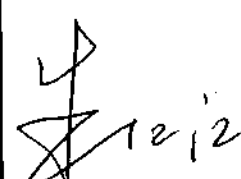
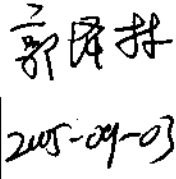
CARRETERA UNION #2542 ENTRE CALLE LAGO SALADO Y LAGO HURON
COL. XOCHIMILCO , C.P. 21380
MEXICALI, BAJA CALIFORNIA, MEXICO
TEL: 52-686-580-0891~3
FAX: 52-686-580-0894

FACTORY:

KING-CORD ELECTRONICS (SHEN ZHEN) CO.,LTD

No.B2,The West Industry Park of Tan Tou,
Song Gang Town Bao'an District,
Shen Zhen City Guangdong CHINA
TEL: 86-755-2768-2890
FAX: 86-755-2768-2897

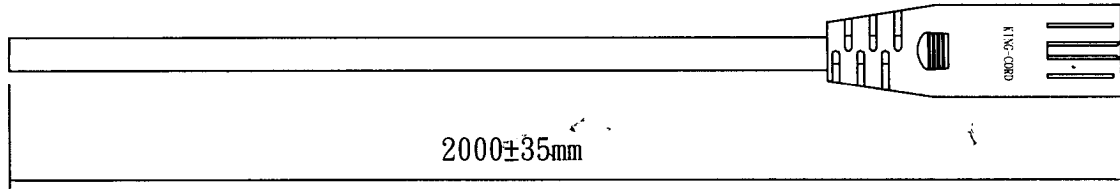
CUSTOMER NAME	CONNEXIONS
CUSTOMER P/NO	ML-5519-SB
KING-CORD/NO:	K00071H4200NB
EDITION:	A

CUSTOMER APPR	APPR	CHECK	MADE
			 2005-09-03

INDEX

- I. Product Drawing
- II. Terminal drawing
- III. Cable Certificate(I-SHENG)
- IV. Cable Certificate(BAOHING)
- V. Cable Certificate(TONGYUAN)
- VI. Sample Testing Standard
- VII. Safety Approval for Product
- VIII. ISO 9001:2000 Certificate

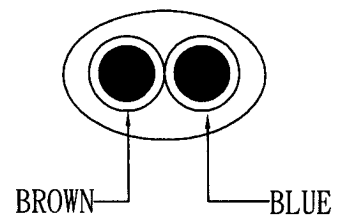
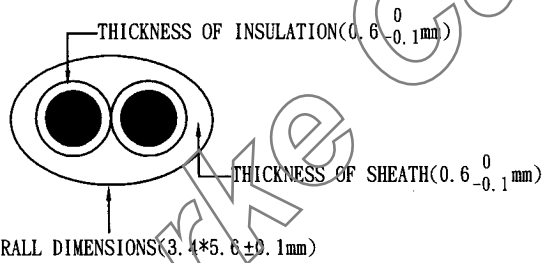
Clarke Cable Ltd



2000±35mm

BLUE

BROWN

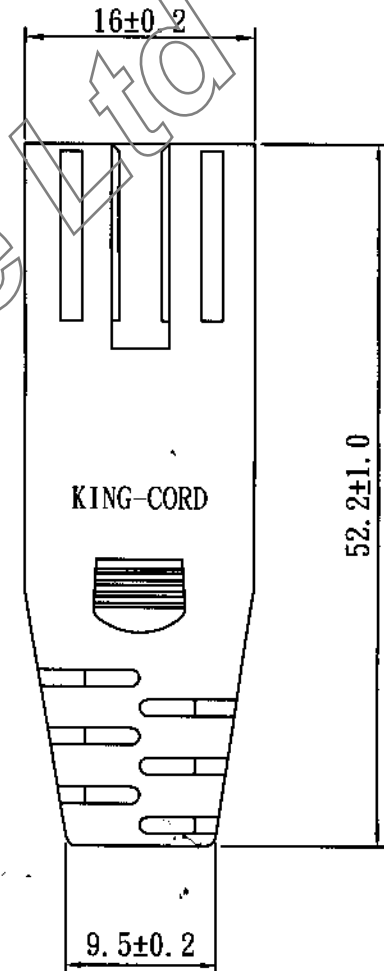
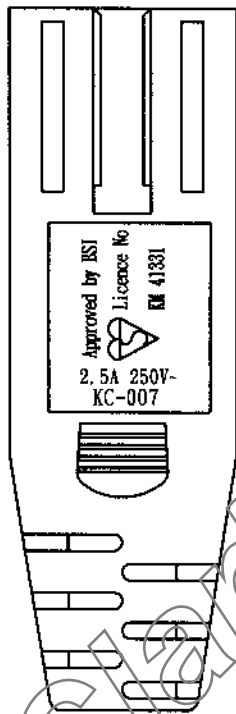
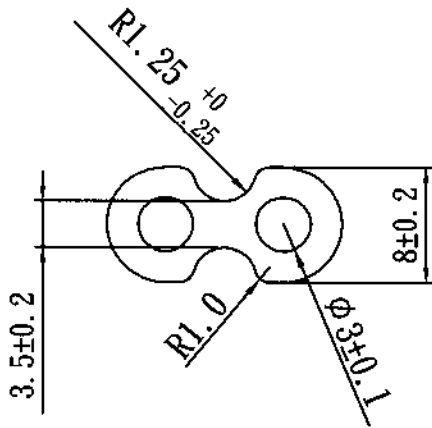


KC-007:

Approved by BSI
Licence No
KM 41331



Plug rating :	NA	Connector rating :	2.5A 250V~
FLEXIBLE CORD:	H03VH2-F 2*0.75mm ²		
CUSTOMER NAME:	CONNEXIONS	CUSTOMER P/NO. :	ML-5519-SB
CORD COLOR:	BLACK	KING-CORD NO. :	K00071H4200NB
Edition:	A	Date:	2005.09.03



繪圖 Drawn by	朱紅江	單位 Unit	mm	日期 Date	2003.10.22
比例 Scale	1/1	圖號 Draw No:	KC-007	電流 Electric current	2.5A 250V~

VDE Prüf- und Zertifizierungsinstitut Zeichengenehmigung

Ausweis-Nr. / Blatt /
Licence No. / page
40006070 2

Name und Sitz des Genehmigungs-Inhabers / Name and registered seat of the Licence holder

I-Sheng Electric Wire & Cable, Co. Ltd., 50 Tin Hwu Road Ta Gann Village, GWAI SAN HSIAN TAO
YUAN HSIEN 3334, TAIWAN

Aktenzeichen / File ref.

1276303-5140-0005 / A401R4 / F420 / STR

Datum / Date

2003-04-25

Dieses Blatt gilt nur in Verbindung mit Blatt 1 des Zeichengenehmigungsausweises Nr. 40006070.
This supplement is only valid in conjunction with page 1 of the Licence No. 40006070.

Flexible Leitung Flexible cable (cord)

Typ(en) / Type(s):

H03VV-F

H03VVH2-F

H05VV-F 0,75..2,5 mm²

H05VVH2-F 2 X 0,75 mm²

+
+
+
+

Firmenzeichen
Trademark

I-SHENG SGIS

Dieser Zeichengenehmigungs-Ausweis bildet die Grundlage für die EG-Konformitätserklärung und CE-Kennzeichnung durch den Hersteller oder dessen Bevollmächtigten und bescheinigt die Konformität mit den genannten Normen im Sinne der EG-Niederspannungsrichtlinie 73/23/EWG mit ihren Änderungen.

This Marks Licence is the basis for the EC Declaration of Conformity and the CE Marking by the manufacturer or his agent and shows the conformity with the said standards as defined by the EC Low-Voltage Directive 73/23/EEC including amendments.

VDE Prüf- und Zertifizierungsinstitut
VDE Testing and Certification Institute
Fachgebiet F420
Section F420



VDE Prüf- und Zertifizierungsinstitut Zeichengenehmigung

Ausweis-Nr. / Beiblatt /
Licence No. / Supplement
40006070

Name und Sitz des Genehmigungs-Inhabers / Name and registered seat of the Licence holder

I-Sheng Electric Wire & Cable, Co. Ltd., 50 Tin Hwu Road Ta Gann Village, GWAI SAN HSIAN TAO
YUAN HSIEN 3334, TAIWAN

Aktanzzeichen / File ref.

1276303-5140-0005 / A401R4 / F420 / STR

Datum / Date

2003-04-26

Dieses Beiblatt ist Bestandteil des Zeichengenehmigungsausweises Nr. 40006070.
This supplement is part of the Licence No. 40006070.

Flexible Leitung
Flexible cable (cord)

Fertigungsstätte(n)
Place(s) of manufacture

Referenz/Reference
30006550

I-Sheng Mfg (Song Gang) Factory
Tang Xiayong Road
SONGGANG TOWN, BAO AN AREA,
CHINA

VDE Prüf- und Zertifizierungsinstitut
VDE Testing and Certification Institute
Fachgebiet F420
Section F420



Clarke Cable Ltd



VDE Prüf- und Zertifizierungsinstitut Zeichengenehmigung

Ausweis-Nr. / Blatt /
Licence No. / page
103727 2

Name und Sitz des Genehmigungs-Inhabers / Name and registered seat of the Licence holder
Shenzhen Bao Hing Electric Wire and Cable Manufacture Co. Ltd., No. 35 Xin An 3rd Road Area 22,
518101 BAO AN DISTRICT SHENZHEN CITY, Guangdong, CHINA

Aktenzeichen / File ref.
1958500-5140-0005 / 50956 / FG42 / STR

letzte Änderung / updated Datum / Date
2004-12-01 1997-10-02

Dieses Blatt gilt nur in Verbindung mit Blatt 1 des Zeichengenehmigungsausweises Nr. 103727.
This supplement is only valid in conjunction with page 1 of the Licence No. 103727.

Flexible Leitung Flexible cable (cord)

Typ(en) / Type(s):

H03VH-Y 2 x 0,1 mm²
H03VV-F 2...3 x 0,5...0,75 mm² +
H03VVH2-F 2 x 0,5...0,75 mm² +
H05VV-F 2...3 x 0,75...1,5 mm² +
H05VVH2-F 2 x 0,75...1,0 mm² +

Firmenzeichen BAOHING
Trademark

Dieser Zeichengenehmigungs-Ausweis bildet die Grundlage für die EG-Konformitätserklärung und CE-Kennzeichnung durch den Hersteller oder dessen Bevollmächtigten und bescheinigt die Konformität mit den genannten Normen im Sinne der EG-Niederspannungsrichtlinie 73/23/EWG mit ihren Änderungen.

This Marks Licence is the basis for the EC Declaration of Conformity and the CE Marking by the manufacturer or his agent and shows the conformity with the said standards as defined by the EC Low-Voltage Directive 73/23/EEC including amendments.

VDE Prüf- und Zertifizierungsinstitut
VDE Testing and Certification Institute
Fachgebiet FG42
Section FG42

VDE Prüf- und Zertifizierungsinstitut Zeichengenehmigung

Ausweis-Nr. / Blatt /
Licence No. / page
101980 / 2

Name und Sitz des Genehmigungs-Inhabers / *Name and registered seat of the Licence holder*

Shenzhen Tongyuan Ind. Co. Ltd., 13th Floor Block F Jinfeng Bldg., Shangbu Road South, 518031
SHENZHEN, CHINA

Aktzeichen / *File ref.*

1988300-5140-0005 / FG42 / STR

letzte Änderung / *updated* Datum / *Date*

2004-04-01 1997-09-17

Dieses Blatt gilt nur in Verbindung mit Blatt 1 des Zeichengenehmigungsausweises Nr. 101980.

This supplement is only valid in conjunction with page 1 of the Licence No. 101980.

Flexible Leitung *Flexible cable (cord)*

Typ(en) / *Type(s)*:

H03VV-F 2...3 x 0,5...0,75 mm² +

H03VVH2-F 2 x 0,5...0,75 mm² +

H05VV-F 2...3 x 0,75...2,5 mm² !

H05VVH2-F 2 x 0,75 mm² +

Firmenzeichen

TONGYUAN

Trademark

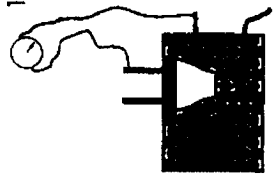

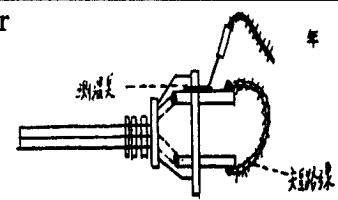
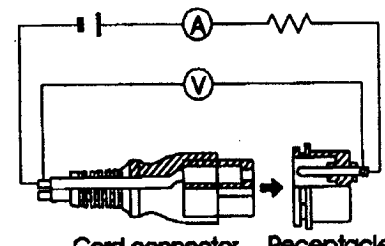
Dieser Zeichengenehmigungs-Ausweis bildet die Grundlage für die EG-Konformitätserklärung und CE-Kennzeichnung durch den Hersteller oder dessen Bevollmächtigten und bescheinigt die Konformität mit den genannten Normen im Sinne der EG-Niederspannungsrichtlinie 73/23/EWG mit ihren Änderungen.

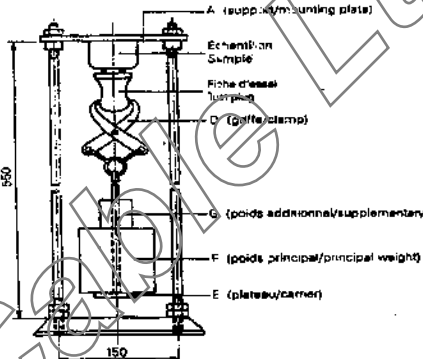
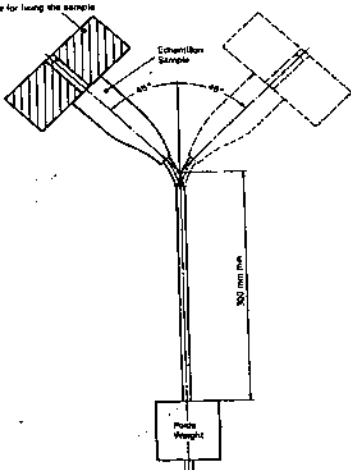
This Marks Licence is the basis for the EC Declaration of Conformity and the CE Marking by the manufacturer or his agent and shows the conformity with the said standards as defined by the EC Low-Voltage Directive 73/23/EEC including amendments.

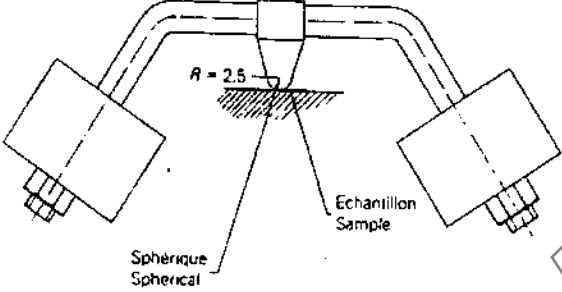
VDE Prüf- und Zertifizierungsinstitut
VDE Testing and Certification Institute
Fachgebiet FG42
Section FG42

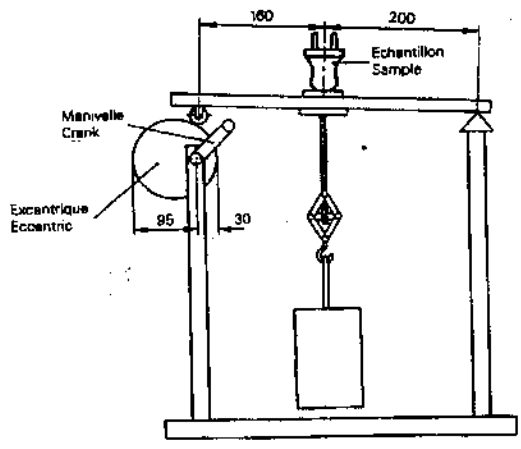
Handwritten signatures and stamps, including a large 'Clarke Cable Ltd' watermark.

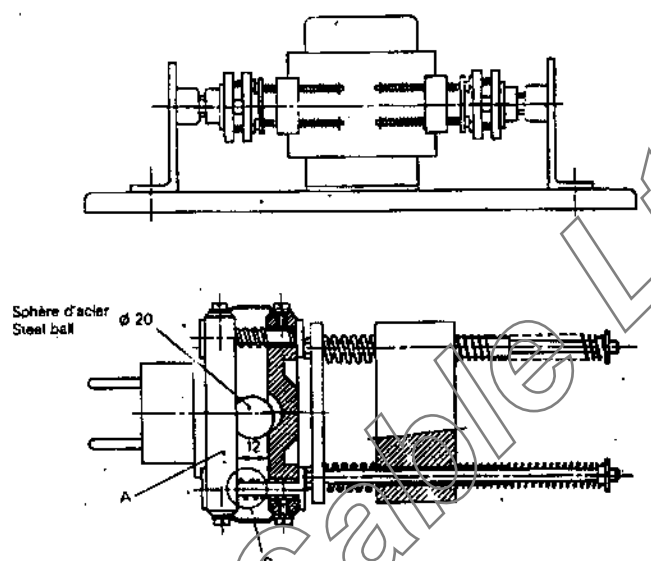
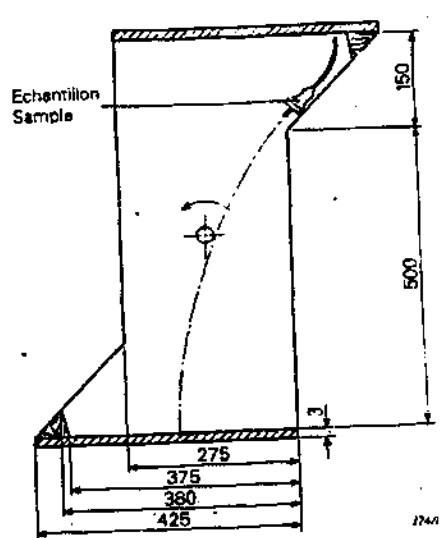


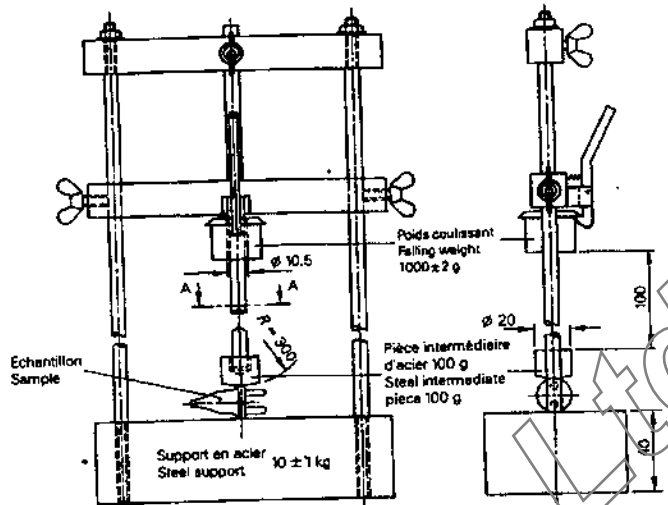
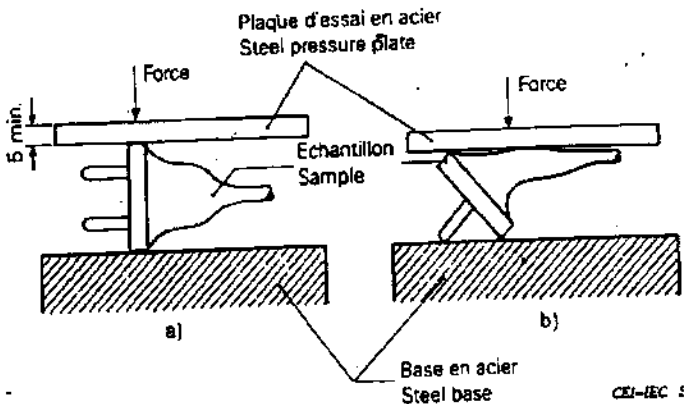
No.	Items項目	Conditions for Test測試條件	Specification判定規格
1	Insulation Resistance 絕緣阻抗	<p>A quantity of No.7 lead drop shot is to be placed in a container,Apply a voltage of 500V DC for 1 min. at an ambient temperature of $25\pm 5^{\circ}\text{C}$, between:</p> <p>A)Live parts of opposite polarity B)Live parts and ground or contact with ground after which the measurement shall be made.</p> <p>Show below as: Megohmmeter</p> 	100MΩ or more
2	Dielectric Strength 電氣強度	<p>The test potential is to be supplied from a 500VA or large capacity testing transformer,and be increased from zero until 2000V(in fact,required 1250V) is reached,then held at the voltage for 1min.</p> <p>A)Live parts of opposite polarity B)Live parts and ground or contact with ground C)Between conductor and outside body Frequency:50/60Hz</p> 	Without breakdown or flashover
3	Moisture Resistance 抗潮濕性	<p>The humidity cabinet can be used. Relative humidity:91%-95% Temperature: 20-30°C The specimens are kept in the cabinet for -168h(7 days) for connector with earthing contact,and for appliance inlets with earthing accessories,not incorporated in other equipment -48h(2 days) in all other cases.</p>	After this treatment, the specimen shall be withstand dielectric strength
4	Temperature Rise 溫升測試	<p>Test current:1.25 times rated cur Test time for 1h Contact show in below:</p> 	The temperature rise of the terminals and contact is no more than 45K
5	Contact Resistance 接觸阻抗	<p>Insert the cord connector straight into the receptacle, measurement shall be made between the connector and the receptacle only.Test current :1A DC. Ambient temperature :25 ± 5.Insert the cord connector into the receptacle as shown below ,and measure the contact resistance by the voltage drop method.</p> 	No more than 20mΩ

No.	Items項目	Conditions for Test 測試條件	Specification 判定規格																		
6	Withdraw Force 拔插力	<p>Withdraw the connector straight into the standard gauge (mating plug), First The connector is inserted to the full depth into and withdraw from the appropriate appliance inlet 10 times, It is then again inserted for a principal mass is such that it exerts a force equal specified in the table . Verification of the minimum withdraw force is applied to each connector, the total mass of applicable force as show in table.</p> <table border="1" data-bbox="472 510 1252 730"> <thead> <tr> <th rowspan="3">Type</th> <th colspan="3">Withdraw force N(Kg)</th> </tr> <tr> <th colspan="2">Multi-Pin gauge</th> <th>Single-Pin gauge</th> </tr> <tr> <th>Maximum</th> <th>Minimum</th> <th>Minimum</th> </tr> </thead> <tbody> <tr> <td>0.2A/2.5A/6A/10A</td> <td>50(5.1)</td> <td>13(1.3)</td> <td>1.5(0.15)</td> </tr> <tr> <td>≥ 16A</td> <td>60(6.1)</td> <td>15(1.5)</td> <td>2(0.2)</td> </tr> </tbody> </table> 	Type	Withdraw force N(Kg)			Multi-Pin gauge		Single-Pin gauge	Maximum	Minimum	Minimum	0.2A/2.5A/6A/10A	50(5.1)	13(1.3)	1.5(0.15)	≥ 16A	60(6.1)	15(1.5)	2(0.2)	<p>During the verification of the maximum withdraw force test, The principal mass is hung on the connector without jolting and the supplementary mass is allowed to fall from a height of 5cm on to the principal mass, the connector shall not remain in the appliance. After verification of the minimum withdraw force test, the gauge shall be not removed 0.079inch(2mm). During the single-pin gauge test, the gauge shall not fall from the contact assembly without 3sec.</p>
Type	Withdraw force N(Kg)																				
	Multi-Pin gauge			Single-Pin gauge																	
	Maximum	Minimum	Minimum																		
0.2A/2.5A/6A/10A	50(5.1)	13(1.3)	1.5(0.15)																		
≥ 16A	60(6.1)	15(1.5)	2(0.2)																		
7	Flexing Test 彎曲測試	<p>A molded-on attachment plug and cord connector shall be capable withstanding the test specified as show in the table: molded to 20inch(508mm) lengths of flexible cord is required, and each cord approximately 12 inches(305mm) from the point of rotation to the weight, see fig 94.1</p> <table border="1" data-bbox="472 1368 1195 1536"> <thead> <tr> <th>Cord type (mm²)</th> <th>Load weight (g)</th> <th>Angle (°)</th> <th>Frequency (turns)</th> <th>Flexing No. for connector (turns)</th> <th>Flexing No. for plug</th> </tr> </thead> <tbody> <tr> <td>other</td> <td>10N(1020g)</td> <td>45°</td> <td>60r/min</td> <td>20000</td> <td>10000</td> </tr> <tr> <td>>0.75</td> <td>20N(2040g)</td> <td>45°</td> <td>60r/min</td> <td>20000</td> <td>10000</td> </tr> </tbody> </table> <p>A sample shall be secured to the flexing apparatus as below:</p> 	Cord type (mm ²)	Load weight (g)	Angle (°)	Frequency (turns)	Flexing No. for connector (turns)	Flexing No. for plug	other	10N(1020g)	45°	60r/min	20000	10000	>0.75	20N(2040g)	45°	60r/min	20000	10000	<p>After the test the sample shall be no damage or breakage</p>
Cord type (mm ²)	Load weight (g)	Angle (°)	Frequency (turns)	Flexing No. for connector (turns)	Flexing No. for plug																
other	10N(1020g)	45°	60r/min	20000	10000																
>0.75	20N(2040g)	45°	60r/min	20000	10000																

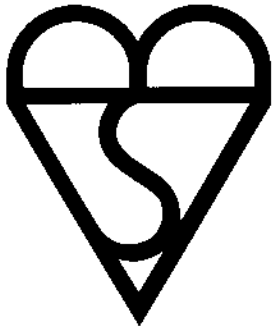
No.	Items項目	Conditions for Test測試條件	Specification判定規格
8	Heat Pressure Test 球壓測試	<p>A ball pressure test is made in a heating cabinet at a temperature of $125 \pm 2^\circ\text{C}$ and applied a steel ball of 5mm diameter against this sample surface with a force of 20N. after 1 hour, the tested ample is cooled down within 10 seconds. see as following fig.:</p> 	the diameter of the impression caused by the ball shall not exceed 2 mm

9	Anchorage Test 錨錠測試	<p>A sample is placed in the test apparatus(as below) so that the axis of the flexible cable is vertical where it enters the sample. The flexible cable is then subjected to show in the table:</p> <table border="1" data-bbox="553 840 1144 1115"> <thead> <tr> <th>Rating</th> <th>Pull</th> </tr> </thead> <tbody> <tr> <td>$I \leq 2.5\text{A}$</td> <td>50</td> </tr> <tr> <td>$2.5\text{A} < I < 16\text{A}$ $U < 250\text{V}$</td> <td>60</td> </tr> <tr> <td>$I < 16\text{A}$ $U > 250\text{V}$</td> <td>80</td> </tr> <tr> <td>$I > 16\text{A}$</td> <td>100</td> </tr> </tbody> </table> <p>Immediately afterwards, the flexible cable is subjected for</p> <table border="1" data-bbox="440 1198 1242 1518"> <thead> <tr> <th rowspan="2">Rating of plug or portable socket outlet</th> <th colspan="5">Flexible cable (number of cores \times cross-section in mm^2)</th> </tr> <tr> <th>$2 \times 0,5$</th> <th>$2 \times 0,75$</th> <th>$3 \times 0,5$</th> <th>$3 \times 0,75$</th> <th>$(2 \text{ or more}) \times 1$</th> </tr> </thead> <tbody> <tr> <td>Up to and including 16 A and 250 V</td> <td>0,1 Nm</td> <td>0,15 Nm</td> <td>0,15 Nm</td> <td>0,25 Nm</td> <td>0,25 Nm</td> </tr> <tr> <td>16A and above 250 V</td> <td>-</td> <td>-</td> <td>-</td> <td>-</td> <td>0,35 Nm</td> </tr> <tr> <td>Above 16 A</td> <td>-</td> <td>-</td> <td>-</td> <td>-</td> <td>0,425 Nm</td> </tr> </tbody> </table>  <p>After the test, the flexible shall not have been displaced by more than 2mm, or no break.</p>	Rating	Pull	$I \leq 2.5\text{A}$	50	$2.5\text{A} < I < 16\text{A}$ $U < 250\text{V}$	60	$I < 16\text{A}$ $U > 250\text{V}$	80	$I > 16\text{A}$	100	Rating of plug or portable socket outlet	Flexible cable (number of cores \times cross-section in mm^2)					$2 \times 0,5$	$2 \times 0,75$	$3 \times 0,5$	$3 \times 0,75$	$(2 \text{ or more}) \times 1$	Up to and including 16 A and 250 V	0,1 Nm	0,15 Nm	0,15 Nm	0,25 Nm	0,25 Nm	16A and above 250 V	-	-	-	-	0,35 Nm	Above 16 A	-	-	-	-	0,425 Nm	After the test, the flexible shall not have been displaced by more than 2mm, or no break.
Rating	Pull																																									
$I \leq 2.5\text{A}$	50																																									
$2.5\text{A} < I < 16\text{A}$ $U < 250\text{V}$	60																																									
$I < 16\text{A}$ $U > 250\text{V}$	80																																									
$I > 16\text{A}$	100																																									
Rating of plug or portable socket outlet	Flexible cable (number of cores \times cross-section in mm^2)																																									
	$2 \times 0,5$	$2 \times 0,75$	$3 \times 0,5$	$3 \times 0,75$	$(2 \text{ or more}) \times 1$																																					
Up to and including 16 A and 250 V	0,1 Nm	0,15 Nm	0,15 Nm	0,25 Nm	0,25 Nm																																					
16A and above 250 V	-	-	-	-	0,35 Nm																																					
Above 16 A	-	-	-	-	0,425 Nm																																					

No.	Items項目	Conditions for Test測試條件	Specification判定規格								
10	Breaking Capacity 分斷容量	<p>The connector and appliance inlet are connected and disconnected 50 times (100 strokes) at a rate of 30 strokes per minute.the length of a stroke of the test apparatus is between 50mm and 60mm,</p> <p>The periods during which the test current is passed from the connection to the subsequent disconnection of the accessories are 1.5(+0.5,-0)s,The test voltage is 275V,the test current is 1.25 times rated current and the power factor is at least 0.95 for 10A and 16A connectors and 0.6±0.05 for other connectors.</p>  <p>Sphère d'acier Steel ball ∅ 20</p>	<p>The specimen shall show no damage impairing its further use and the entry holes for the pin shall not show any serious damage</p>								
11	Tumbling Barrel Test 滾桶測試	<p>A sample is tested by 10 falls per minute in a tumbling barrel as shown below.</p> <p>The flexible cable shall be cut for a free length of about 100mm from the accessory.</p> <p>The number of falls shown in the table;</p> <table border="1" data-bbox="479 1456 771 1635"> <thead> <tr> <th>Weight</th> <th>Numbers</th> </tr> </thead> <tbody> <tr> <td><100g</td> <td>1000</td> </tr> <tr> <td>>100g</td> <td>500</td> </tr> <tr> <td>>200g</td> <td>100</td> </tr> </tbody> </table>  <p>Echantillon Sample</p> <p>150 500 275 375 380 425</p>	Weight	Numbers	<100g	1000	>100g	500	>200g	100	<p>After the test,no part detached or loosened,the pin shall not turn when a torque of 0.4Nm is applied,first in one direction for 1 min and then in the opposite direction for 1 min.</p>
Weight	Numbers										
<100g	1000										
>100g	500										
>200g	100										

No.	Items項目	Conditions for Test測試條件	Specification判定規格
12	Low Temperature Impact 低溫撞擊測試	<p>The specimen is subjected to an impact test by mean of an apparatus shown in below. At a temperature of $-15\pm 2^{\circ}\text{C}$ for at least 16h. The falling weight of $1000\pm 2\text{g}$ is allowed to fall from a height of 100 mm.</p> 	No damage within the meaning of the standard
13	Resistance to Aging 老化試驗	<p>The temperature in the cabinet is $70\pm 2^{\circ}\text{C}$. The specimen is kept in the cabinet for 7 days (168h). After the treatment, the specimen is kept at a room temperature and relative humidity between 45%-55% for least 4 days (96h). After, the specimen shall show no crack visible with normal or corrected vision. A forefinger wrapped in a dry piece of rough cloth is pressed on the specimen with a force of 5N. No traces of the cloth shall remain on the specimen and the</p>	After the test, the specimen shall show no damage which would lead to non-compliance with the standard
14	Compression Test 壓迫試驗	<p>A specimen is pressed between two flat surfaces with a force of 150N for 5 min, as shown in fig. After 15 min, remove from the test apparatus and check it. A specimen is subjected to a compression test in the manner as shown in below, the temperature of the pressure plate: $23\pm 2^{\circ}\text{C}$. Applied force: 300N. The specimen is placed in each position as shown in fig. for 1 min and shall be checked, 15 min after the removal from the test apparatus.</p> 	No damage within the meaning of the standard

K I T E M A R K L I C E N C E



No. KM 41331

King Cord Company Limited

Hsin Chu Hsien

Group 2 - Non-rewireable 2.5 A Connectors

Type	Rating	Colour	Test Report Number
KC-007	2.5 A 250V Class II Cold Conditions	Any colour including black	241/000109, 241/000285, 241/4222210 & 241/4276084

The connector type KC-007 may be factored under the 'FOXCONN' brand name.

Cord Fitted

The following cord is satisfactory for incorporation with the variants of Group 2 and is subject to the continuing validity of its approval.

Size	Code	Manufacturer	Approval
2 x 0.75 mm ²	H03VVH2-F	Ta Hsing	VDE
2 x 0.75 mm ²	H03VVH2-F	One Six	VDE
2 x 0.75 mm ²	H03VVH2-F	I-Sheng	VDE

First granted: 25 Feb 1999

Date: 9 May 2005

Page: 3 of 8

The licence remains the property of BSI and shall be returned immediately upon request. This licence does not expire. To check its validity telephone: +44 (0)1442 230442

BSI is incorporated by Royal Charter



Product Services

BSI Product Services

Maylands Avenue, Hemel Hempstead, Hertfordshire HP2 4SQ United Kingdom
Tel: +44 (0)1442 230442 Website: www.bsi-global.com

BSI Group Headquarters: 389 Chiswick High Road, London W4 4AL Tel: +44 (0)208 996 9000



CERTIFICATE OF REGISTRATION

Quality Management System

This is to certify that:

King-Cord Co., Ltd. (Shenzhen)
No. B2, The West Industry Park of Tan Tou
Song Gang Town, Bao' An District
Shen Zhen City, Guangdong
China

光州電子(深圳)有限公司
廣東省深圳市寶安區松崗鎮潭頭西部工業園區 B2

Hold Certificate No: **FM 37321**

and operate a Quality Management System which complies with the requirements of **BS EN ISO 9001:2000**
for the following scope:

Power supply cords & wiring harness assembly.

For and on behalf of BSI:

Certification Manager

Originally registered: **15 Jul 1997**

Latest issue: **02 Jun 2005**

Page: **1 of 2**



003



This certificate remains the property of BSI and shall be returned immediately upon request. This certificate does not expire.
To check its validity telephone: +44 (0)20 8996 9001 or visit www.bsi-global.com/BusinessPartners
Further clarifications regarding the scope of this certificate and the applicability of ISO 9001:2000 requirements may be obtained by consulting the organization. The British Standards Institution is incorporated by Royal Charter.
Group Headquarters: 389 Chiswick High Road, London W4 4AL, UK.

BSI
Management
Systems



CERTIFICATE OF REGISTRATION

Quality Management System

Certificate No: **FM 37321**

Location	Registered Activities
King-Cord Co., Ltd. (Shenzhen) No. B2, The West Industry Park of Tan Tou Song Gang Town, Bao' An District Shen Zhen City, Guangdong China 光州電子(深圳)有限公司 廣東省深圳市寶安區松崗鎮潭頭西部工業園區 B2	Power supply cords & wiring harness assembly.
King-Cord Co., Ltd. No. 52-5, Siasihhu Shanghu Village, Yangmei Township Taoyuan County Taiwan 光州工業股份有限公司 桃園縣楊梅鎮上湖里下四湖 13 鄰 52-5 號	Power supply cords & wiring harness assembly.

Clarke Cable Ltd

Originally registered: **15 Jul 1997**

Latest issue: **02 Jun 2005**

Page: **2 of 2**

*This certificate remains the property of BSI and shall be returned immediately upon request. This certificate does not expire.
To check its validity telephone: +44 (0)20 8996 9001 or visit www.bsi-global.com/BusinessPartners
Further clarifications regarding the scope of this certificate and the applicability of ISO 9001:2000 requirements may be obtained by consulting the organization. The British Standards Institution is incorporated by Royal Charter.
Group Headquarters: 389 Chiswick High Road, London W4 4AL, UK.*

BSI
Management
Systems