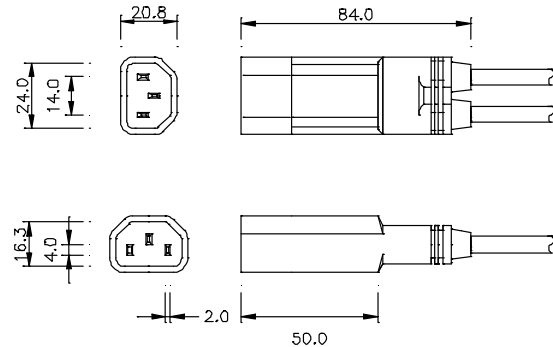
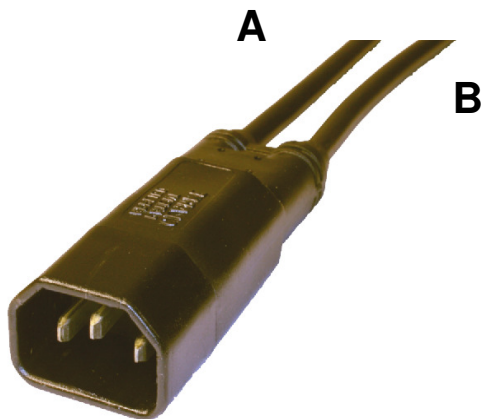


## C 39 Y Connector UK Patent GB 2 366 090 B



A	B
2x0.75mm <sup>2</sup>	3x0.75mm <sup>2</sup>
3x0.75mm <sup>2</sup>	3x1.00mm <sup>2</sup>
3x1.00mm <sup>2</sup>	

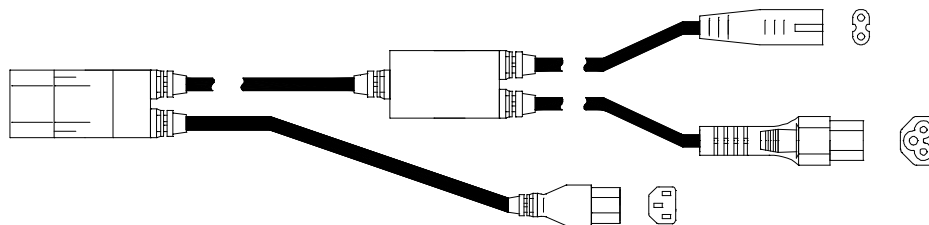
### General Description

The pins are integrally moulded into a thermoplastic glass filled polyester carrier

The insert is over moulded with resilient flame retardant PVC

Connector for supply line from 0.75mm<sup>2</sup> and 1.00mm<sup>2</sup> with various combinations i.e. C13 10A, C7, C5 2.5A Audio

An example of the C39 “Y” connector can be used in conjunction with other Clarke Cable products



All cordsets are 100% electrically tested

The Company is approved to ISO 9001: 2008 Certificate No. FM 00928



# Certificate of Grant of Patent

Patent Number: GB2366090  
Proprietor(s): Earlex Limited  
Inventor(s): John J WATERWORTH

*This is to Certify that, in accordance with the Patents Act 1977,*

a Patent has been granted to the proprietor(s) for an invention entitled  
**"Branched lead"** disclosed in an application filed **5 June 2001**.

Dated 12 November 2003



**Alison Brimelow**  
*Comptroller General of Patents,  
Designs and Trade Marks*  
**UNITED KINGDOM PATENT OFFICE**

**The attention of the proprietor(s) is drawn to the important notes overleaf.**