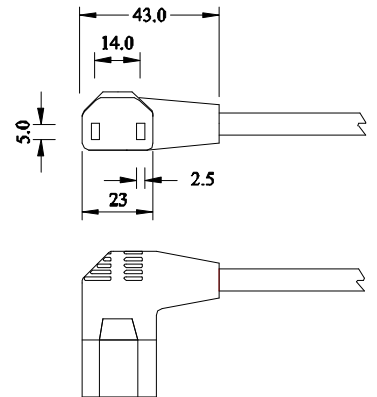
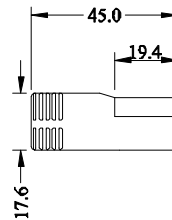


**C48**  
**2 POLE 10Amp**  
**MOULDED ANGLED FEMALE CONNECTOR**  
**Standard Sheet C17**

**Up to 1.5mm<sup>2</sup> Cable**



**General Description**

The Inner insert is over moulded with flame retardant PVC

All cordsets are 100% electrically tested

The Company is approved to ISO 9001: 2008 Certificate No. FM 00928



Eaton Bank Trading Estate Varey Road  
Congleton Cheshire CW12 1PJ  
Tel: 01260 272132  
Fax: 01260 278041  
Web: [www.clarkecable.co.uk](http://www.clarkecable.co.uk)

## **DECLARATION OF CONFORMITY**

Clarke Cable certify that the product is manufactured in the UK in accordance with our specifications and a third party ISO 9001:2008 approved manufacturing site audited by BSI.

The products are manufactured to the same high standard using approved materials and are subject to 100% inspection and electrical testing.

The Company is approved to ISO 9001: 2008 Certificate No. FM 00928

